

ZARF50115-L-TV

Needle roller/axial cylindrical roller bearing

Schaeffler ID:
0016826440000

Needle roller/axial cylindrical roller bearings ZARF...-L, double direction, for screw mounting, long shaft locating washer

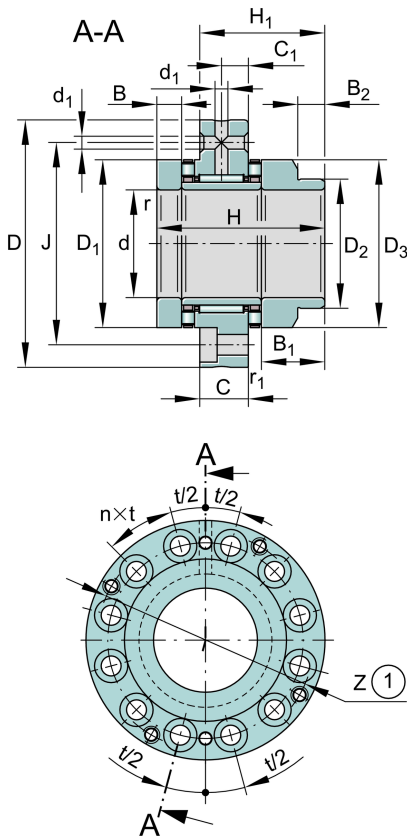
Technical information

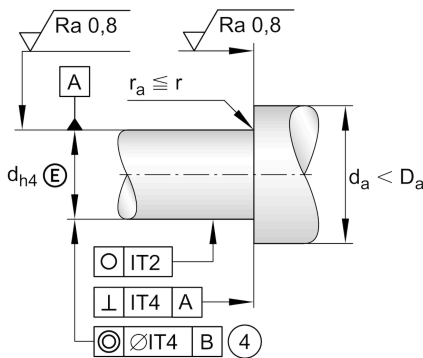
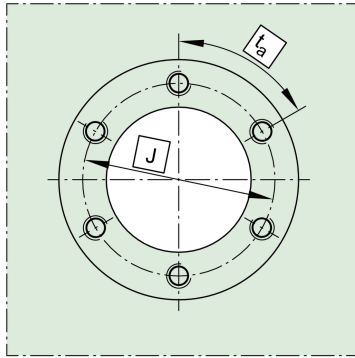
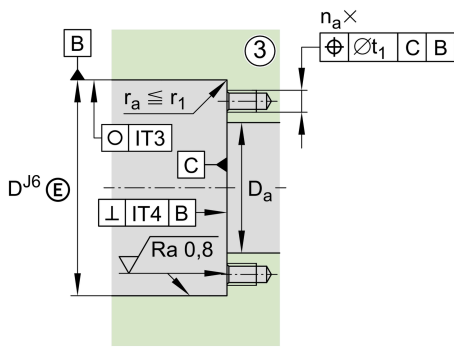
Main Dimensions & Performance Data

d	[50] mm	Bore diameter
D	[115] mm	Outside diameter
H	[78] mm	Height
C_a	[90,000] N	Basic dynamic load rating, axial
C_{0a}	[300,000] N	Basic static load rating, axial
C_r	[40,000] N	Basic dynamic load rating, radial
C_{0r}	[82,000] N	Basic static load rating, radial
C_{ua}	[28,000] N	Fatigue load limit, axial
C_{ur}	[11,500] N	Fatigue load limit, radial
$n_{G\ Oil}$	[3,600] 1/min	Limiting speed for oil lubrication
$n_{G\ Grease}$	[1,200] 1/min	Limiting speed for grease lubrication
M_{RL}	[2.2] Nm	Bearing friction torque
	[2.022] kg	Weight

Mounting dimensions

$D_{a\ max}$	[79] mm	Maximum diameter of housing shoulder
$d_{a\ min}$	[58] mm	Minimum diameter shaft shoulder
t_1	[0.2] mm	Position bore in the housing





Dimensions

H_1	[58] mm	Height outer ring over wave washer
C	[22.5] mm	Width, outer ring
C_1	[12.5] mm	Distance to lubrication hole
D_1	[78] mm	Rip diameter shaft washer
D_2	[60] mm	Heeldiameter wave washer long
D_3	[78] mm	Outside diameter wave washer long
B	[11.5] mm	Width, wave washer
B_1	[29.5] mm	Width wave washer long
B_2	[14] mm	Width heel wave washer long
r_{\min}	[0.3] mm	Minimum chamfer dimension
$r_{1 \min}$	[0.6] mm	Minimum chamfer dimension 1
d_1	[6] mm	Diameter lubrication hole
J	[94] mm	Pitch circle diameter (holes)
n	[12]	Number of screwing holes
$n \times t$	[30] °	Split

Temperature range

T_{\min}	[-30] °C	Operating temperature min.
T_{\max}	[120] °C	Operating temperature max.

Additional information

c_{aL}	[4,800] N/ μ m	Rigidity axial
c_{kL}	[2,470] Nm/mrad	Tilting stiffness
M_m	[10.46] kg*cm ²	Mass moment of inertia
	[1] μ m	Axial runout
radial	[ZMA50/75]	Recommended INA precision locknut for radial locking (not included)
axial	[AM50]	Recommended INA precision locknut for axial locking (not included)
M_A	[85] Nm	Tightening torque nut
	[18,410] N	Required locknut force
	[60X80X8]	Rotary shaft seal to DIN 3760 (not included)
	[M8]	Size fixing screws DIN EN ISO 4762 10.9 (not included)
n_a	[12]	Number of screws
$na \times ta$	[30] °	Division (screwing holes)